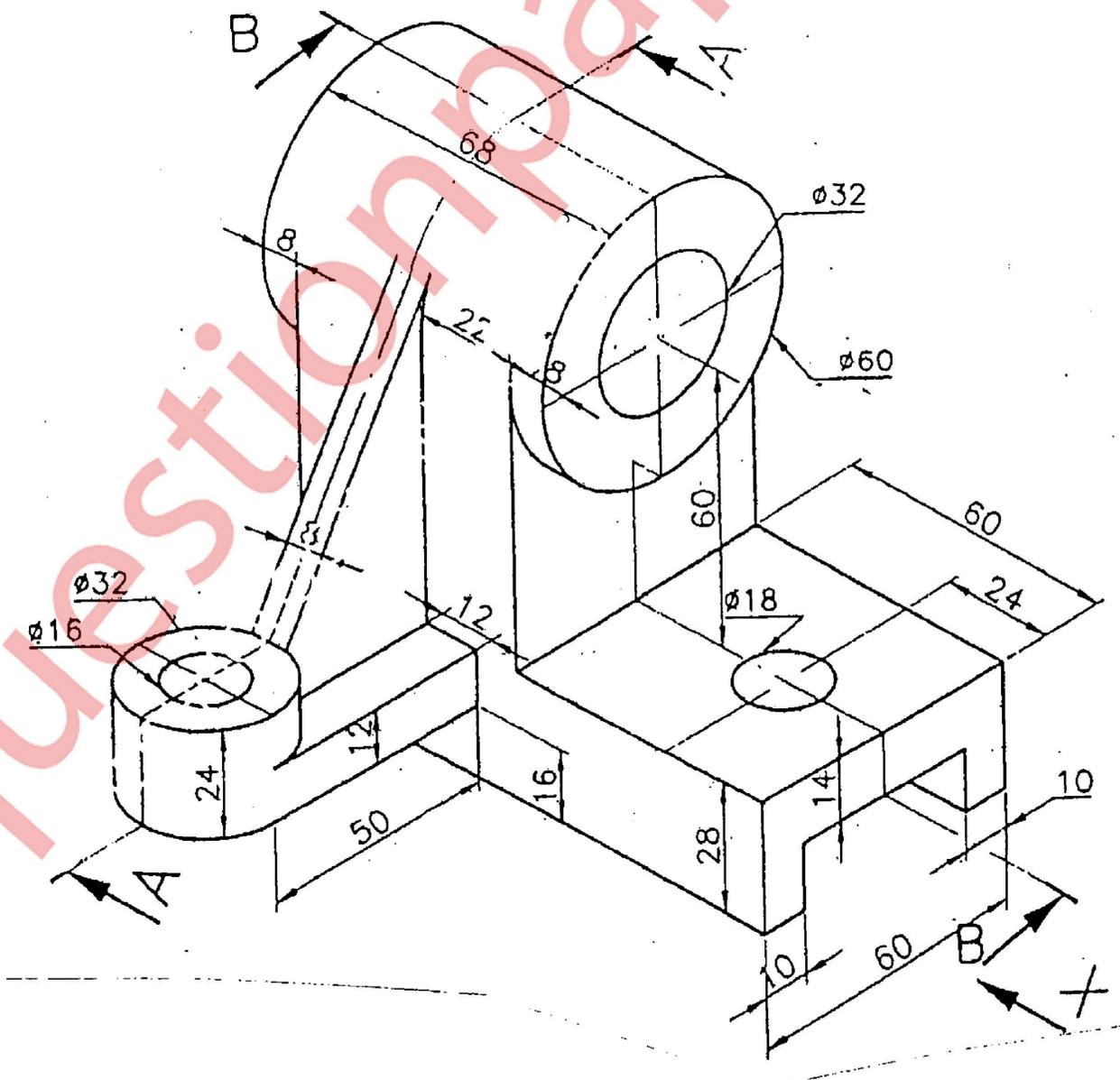


Q.2.

A pentagonal prism of 28mm. edge of base and 60 mm length of axis has a 28mm. edge on the H.P. The axis is inclined at 35° to H.P. and 45° to V.P. Draw the projections. 15

Q.3. Figure 2 shows pictorial view of an object. Draw

- | | | |
|------|--|---|
| i) | Sectional Front View along A-A. | 5 |
| ii) | Sectional Left hand side view along B-B. | 5 |
| iii) | Top View | 4 |
| | Dimension the views (any four) | 1 |



All dimensions are in mm

Figure 2

Q.4. a)

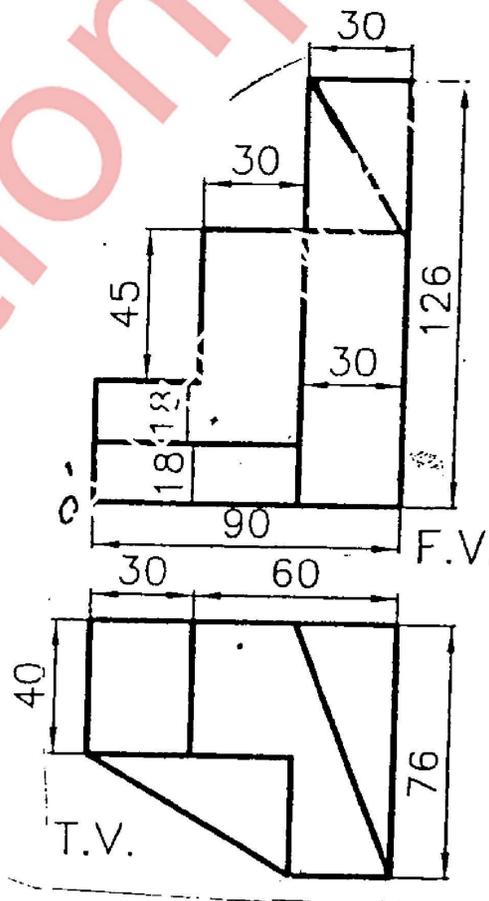
The distance between the end projectors of a line AB is 60mm. The end A is 25mm above H.P. and 45mm in front of V.P., while the other end B is 60mm above H.P. and 15mm in front of V.P. Draw projections and find the true length and also inclination of the line with H.P. and V.P.

09

Q.4 b).

Figure 3 shows two views of an object. Draw isometric view of the object.

06



All dimensions are in mm.

Figure 3

Q.No.5

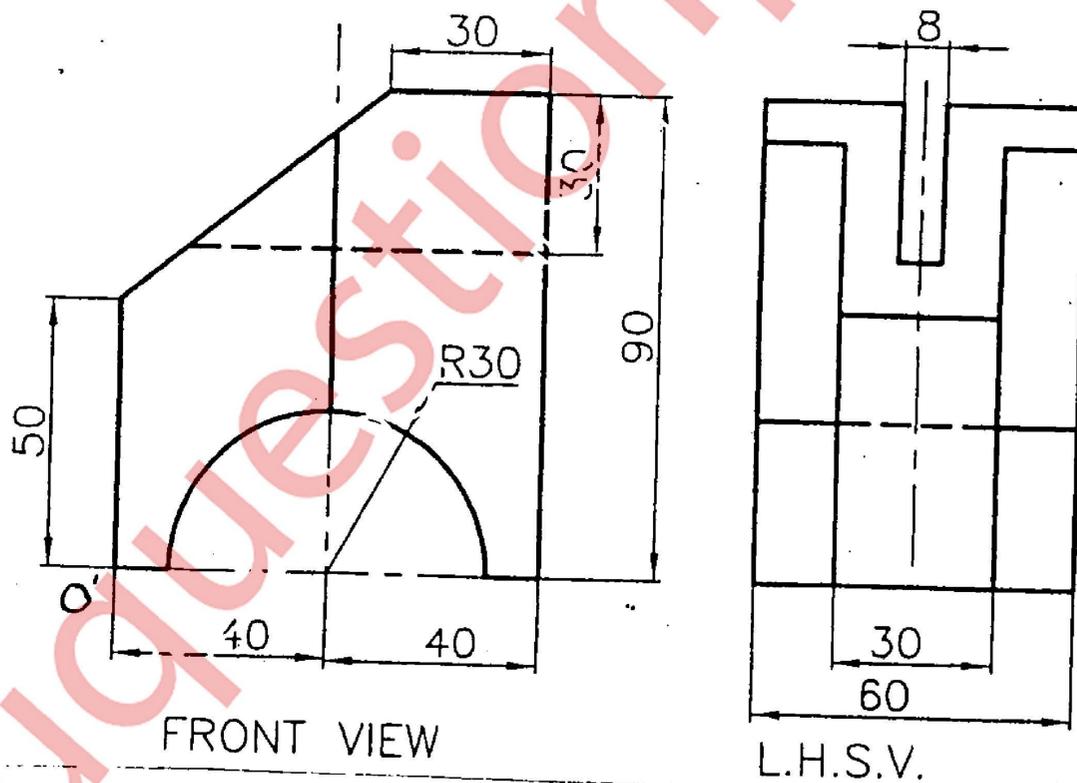
A square pyramid of base side 25mm and altitude 50mm rests on its base on the HP with two sides of the base parallel to VP. It is cut by a plane bisecting the axis and inclined at 30° to the base. Draw front view, sectional top view and true shape of the section. Also draw the development of the lower part of the pyramid. 15

Q.No.6 a)

A cylinder with 50mm diameter of its base and axis measuring 70mm has its axis inclined to 30° to VP. Draw the projections of the cylinder when the solid is resting on one of the points of the circumference of the base on VP. 6

Q.No.6 b).

Draw isometric projection using natural scale. Refer Figure No.4. 9



All dimensions are in mm

Figure no.4